

# INSTRUCTION MANUAL

## TiGer 2000S Wetstone Grinder Ø200 x 40mm K 220 Grinder Stone

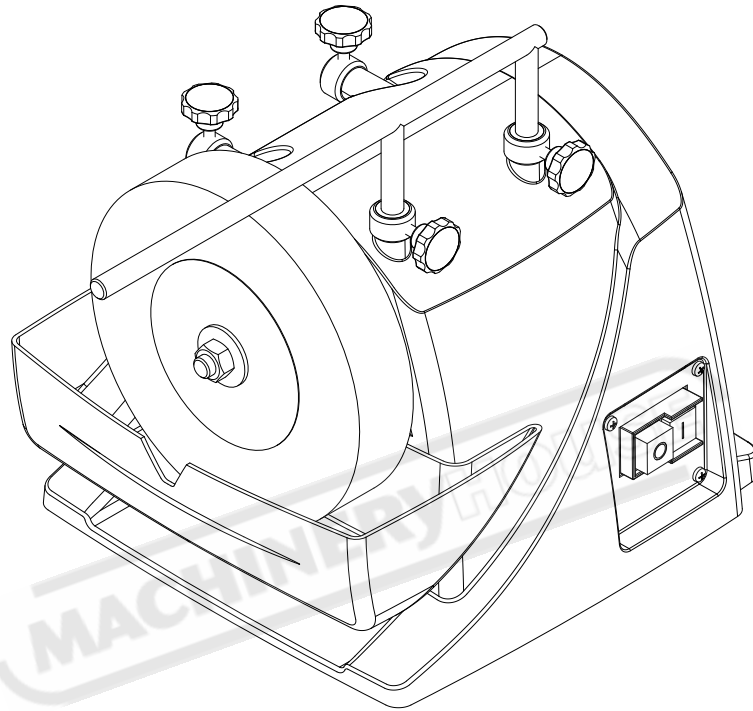


**W859**

Art.Nr.  
5901502966  
AusgabeNr.  
5901502850  
Rev.Nr.  
21/07/2016



The Scheppach logo features the brand name 'scheppach' in a white, lowercase, sans-serif font, set against a solid black rectangular background.

























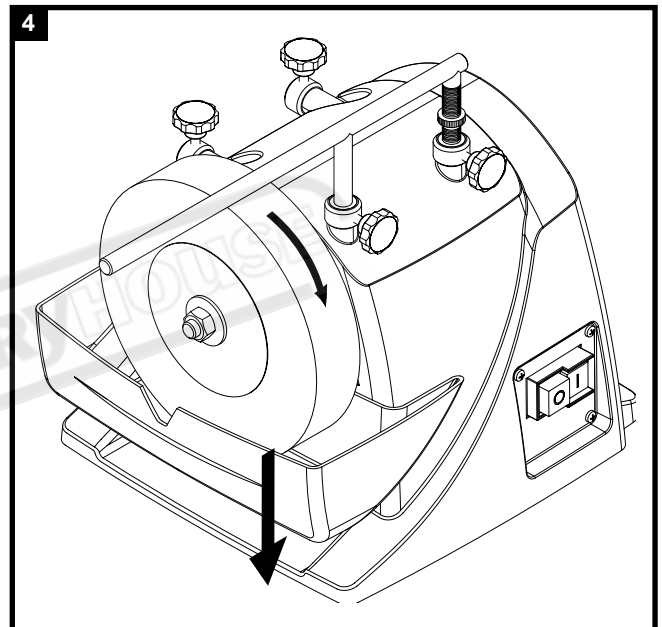
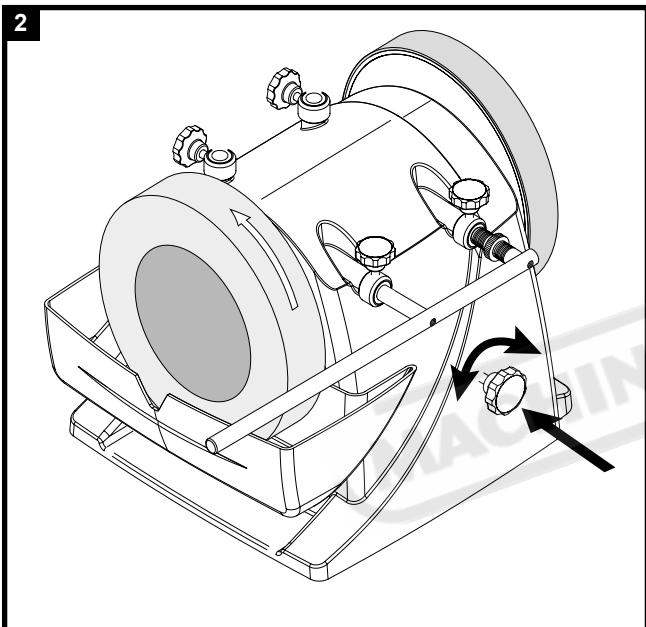
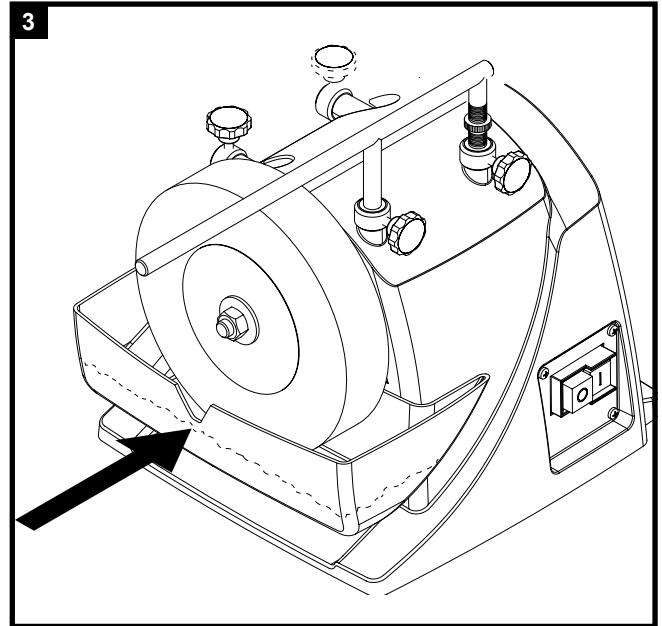
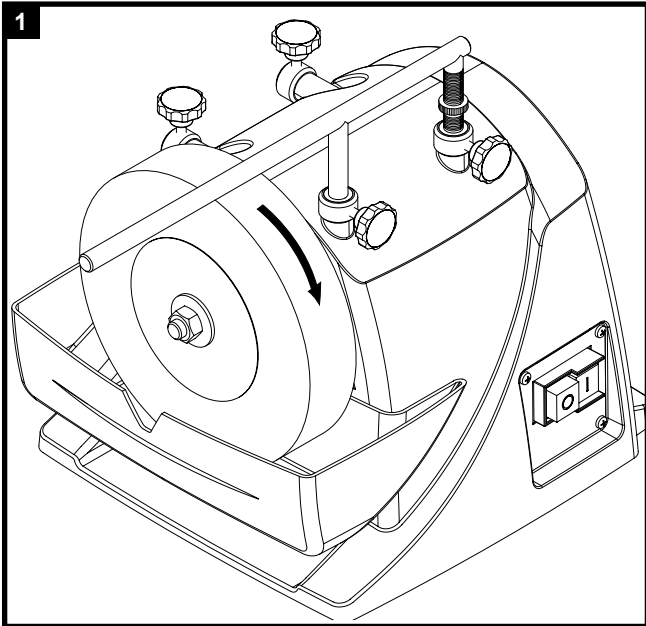
## TIGER 2000S

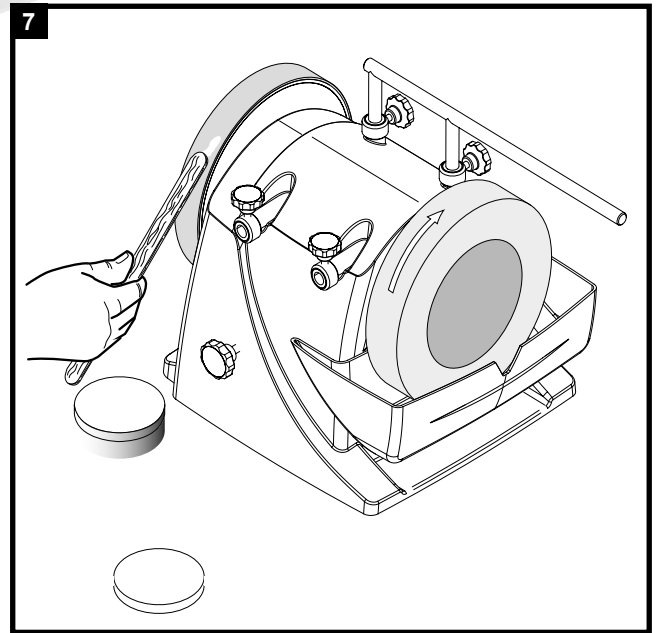
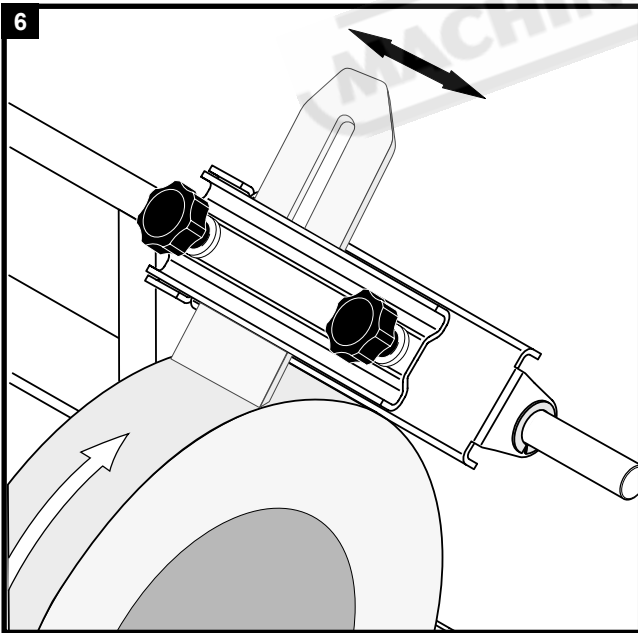
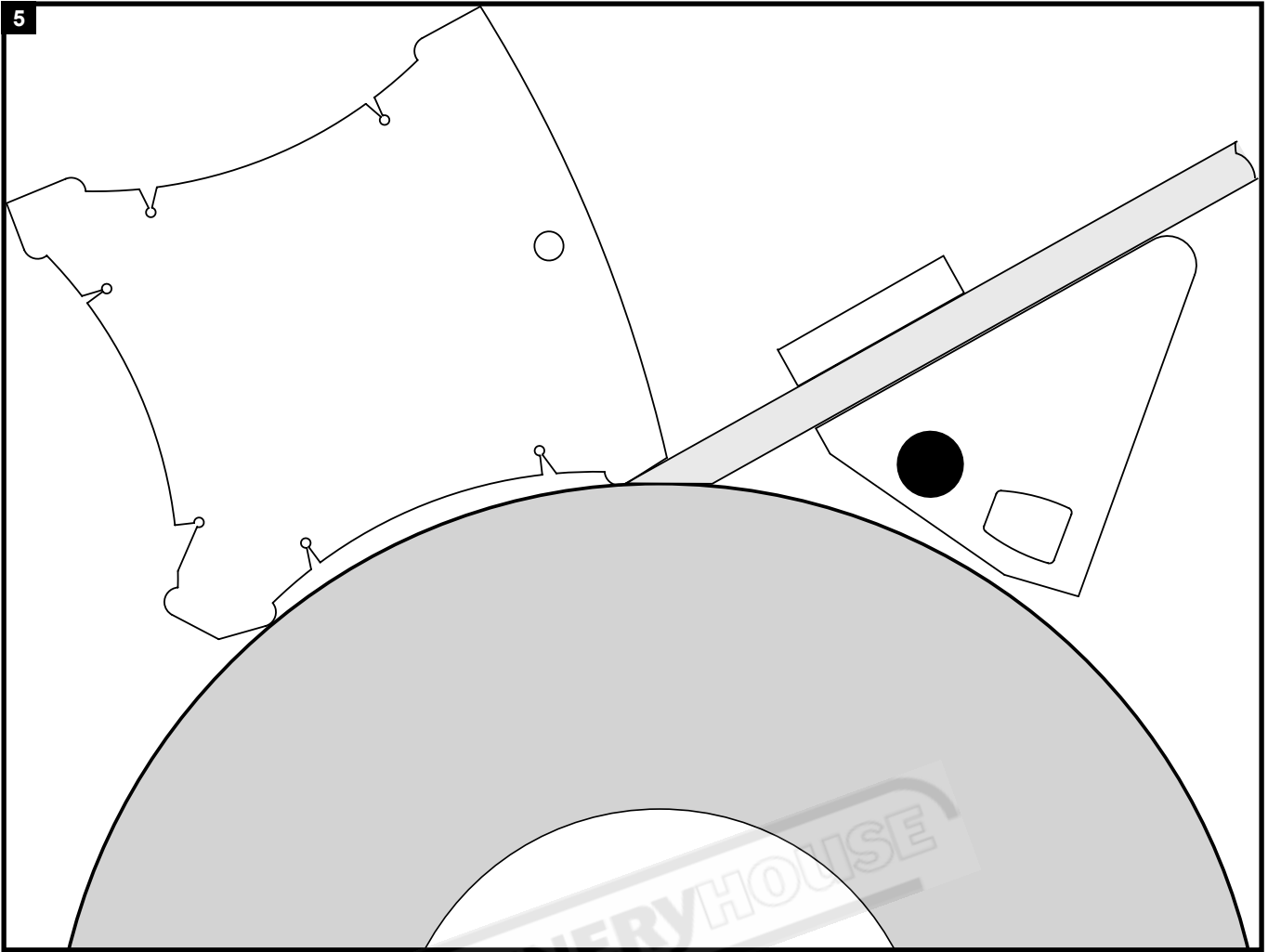
**GB**

**Wet Grinding Machine**

Translation from the original instruction manual

<p><b>DE</b></p> 	<p>Nur für EU-Länder. Werfen Sie Elektrowerkzeuge nicht in den Hausmüll! Gemäß europäischer Richtlinie 2012/19/EU über Elektro- und Elektronik-Altgeräte und Umsetzung in nationales Recht müssen verbrauchte Elektrowerkzeuge getrennt gesammelt und einer umweltgerechten Wiederverwertung zugeführt werden.</p>	<p><b>SK</b></p> 	<p>Kun for EU-lande. Elværetøj må ikke bortskaffes som almindeligt affald! I henhold til det europæiske direktiv 2012/19/EU om bortskaffelse af elektriske og elektroniske produkter og gældende national lovgivning skal brugt elværetøj indsamles separat og bortskaffes på en måde, der skåner miljøet mest muligt.</p>
<p><b>GB</b></p> 	<p>Only for EU countries. Do not dispose of electric tools together with household waste material! In observance of European directive 2012/19/EU on wasted electrical and electronic equipment and its implementation in accordance with national law, electric tools that have reached the end of their life must be collected separately and returned to an environmentally compatible recycling facility.</p>	<p><b>SI</b></p> 	<p>Samo za države EU. Električnega orodja ne odstranjujte s hišnimi odpadki! V skladu z Evropsko direktivo 2012/19/EU o odpadni električni in elektronski opremi in z njenim izvajanjem v nacionalni zakonodaji je treba električna orodja ob koncu njihove življenjske dobe ločeno zbirati in jih predati v postopek okolju prijaznega recikliranja.</p>
<p><b>FR</b></p> 	<p>Pour les pays européens uniquement Ne pas jeter les appareils électriques dans les ordures ménagères! Conformément à la directive européenne 2012/19/EU relative aux déchets d'équipements électriques ou électroniques (DEEE), et à sa transposition dans la législation nationale, les appareils électriques doivent être collectés à part et être soumis à un recyclage respectueux de l'environnement.</p>	<p><b>HU</b></p> 	<p>Csak EU-országok számára. Az elektromos kéziszerszámokat ne dobja a háztartási szeméttel! A használt villamos és elektronikai készülékekről szóló 2012/19/EU irányelv és annak a nemzeti jogba való átültetése szerint az elhasznált elektromos kéziszerszámokat külön kell gyűjteni, és környezetbarát módon újra kell hasznosítani.</p>
<p><b>IT</b></p> 	<p>Solo per Paesi EU. Non gettare le apparecchiature elettriche tra i rifiuti domestici! Secondo la Direttiva Europea 2012/19/EU sui rifiuti di apparecchiature elettriche ed elettroniche e la sua attuazione in conformità alle norme nazionali, le apparecchiature elettriche esauste devono essere raccolte separatamente, al fine di essere reimpiestate in modo eco-compatibile.</p>	<p><b>HR</b></p> 	<p>Samo za EU-države. Električne alate ne odlažite u kućne otpatke! Prema Europskoj direktivi 2012/19/EU o starim električnim i elektroničkim strojevima i usklađivanju s hrvatskim pravom istrošeni električni alati moraju se sakupljati odvojeno i odvesti u pogon za reciklažu.</p>
<p><b>NL</b></p> 	<p>Alleen voor EU-landen. Geef elektrisch gereedschap niet met het huisvuil mee! Volgens de Europese richtlijn 2012/19/EU inzake oude elektrische en elektronische apparaten en de toepassing daarvan binnen de nationale wetgeving, dient gebruikt elektrisch gereedschap gescheiden te worden ingezameld en te worden afgevoerd naar een recycle bedrijf dat voldoet aan de geldende milieu-eisen.</p>	<p><b>CZ</b></p> 	<p>Jen pro státy EU. Elektrické nářadí nevyhazujte do komunálního odpadu! Podle evropské směrnice 2012/19/EU o nakládání s použitými elektrickými a elektronickými zařízeními a odpovídajících ustanovení právních předpisů jednotlivých zemí se použitá elektrická nářadí musí sbírat odděleně od ostatního odpadu a podrobit ekologicky šetrnému recyklování.</p>
<p><b>ES</b></p> 	<p>Sólo para países de la EU ¡No deseche los aparatos eléctricos junto con los residuos domésticos! De conformidad con la Directiva Europea 2012/19/EU sobre residuos de aparatos eléctricos y electrónicos y su aplicación de acuerdo con la legislación nacional, las herramientas eléctricas cuya vida útil haya llegado a su fin se deberán recoger por separado y trasladar a una planta de reciclaje que cumpla con las exigencias ecológicas.</p>	<p><b>PL</b></p> 	<p>Tylko dla państw UE. Proszę nie wyrzucać elektronarzędzi wraz z odpadami domowymi! Zgodnie z europejską Dyrektywą 2012/19/EU dot. zużytego sprzętu elektrycznego i elektronicznego oraz odpowiednikiem w prawie narodowym zużyte elektronarzędzia muszą być oddzielnie zbierane i wprowadzane do ponownego użytku w sposób nieszkodliwy dla środowiska.</p>
<p><b>PT</b></p> 	<p>Apenas para países da UE. Não deite ferramentas eléctricas no lixo doméstico! De acordo com a directiva europeia 2012/19/EU sobre ferramentas eléctricas e electrónicas usadas e a transposição para as leis nacionais, as ferramentas eléctricas usadas devem ser recolhidas em separado e encaminhadas a uma instalação de reciclagem dos materiais ecológica.</p>	<p><b>RO</b></p> 	<p>Numai pentru țările din UE. Nu aruncați echipamentele electrice la fel ca reziduurile menajere! Conform Directivei Europene 2012/19/EU privitoare la echipamente electrice și electronice scoase din uz și în conformitate cu legile naționale, echipamentele electrice care au ajuns la finalul duratei de viață trebuie să fie colectate separat și trebuie să fie predate unei unități de reciclare.</p>
<p><b>SE</b></p> 	<p>Gäller endast EU-länder. Elektriska verktyg får inte kastas i hushållsoporna! Enligt direktivet 2012/19/EU som avser äldre elektrisk och elektronisk utrustning och dess tillämpning enligt nationell lagstiftning ska uttjänta elektriska verktyg sorteras separat och lämnas till miljövänlig återvinning.</p>	<p><b>EE</b></p> 	<p>Kehtib vaid EL maade suhtes. Ärge kasutage elektritööriistu koos majapidamisjäätmetega! Vastavalt EÜ direktiivile 2012/19/EU elektri- ja elektroonikaseadmete jäätmete osas ja kooskõlas igas riigis kehtivate seadustega, kehtib kohustus koguda kasutatud elektritööriistad eraldi kokku ja suunata need keskkonnasõbralikku taasinglusesse.</p>
<p><b>FI</b></p> 	<p>Koskee vain EU-maita. Älä hävittää sähkötyökalua tavallisen kotitalousjätteen mukana! Vanhoja sähkö- ja elektronikkalaitteita koskevan EU-direktiivin 2012/19/EU ja sen maakohtaisten sovellusten mukaisesti käytetyt sähkötyökalut on toimitettava ongelmajätteen keräyspisteeseen ja ohjattava ympäristöstä välttävään kierrätykseen.</p>	<p><b>LV</b></p> 	<p>Tikai attiecībā uz ES valstīm. Neutilizējiet elektriskas ierīces kopā ar sadzīves atkritumiem! Pagal Eiropas Direktīvu 2012/19/EU par elektrisko un elektronisko iekārtu atkritumiem un tās ieviešanu saskaņā ar nacionālo likumdošanu, elektriskas ierīces, kas nokalpojušas savu mūžu, ir jāsavāc daļti un jāatgriež videi draudzīgās pārstrādes vietās.</p>
<p><b>NO</b></p> 	<p>Kun for EU-land. Kast aldri elektroverktøy i husholdningsavfallet! I henhold til EU-direktiv 2012/19/EU om kasserte elektriske og elektroniske produkter og direktivets iverksetning i nasjonal rett, må elektroverktøy som ikke lenger skal brukes, samles separat og returneres til et miljøvennlig gjenvinningsanlegg.</p>	<p><b>LT</b></p> 	<p>Tik ES šalims. Nemesti elektros prietaisų kartu su kitomis namų ūkio atliekomis! Pagal Europos Sąjungos direktyvą 2012/19/EU dėl elektros ir elektroninės įrangos atliekų ir jos vykdymo pagal nacionalinius įstatymus elektros įrankius, kurių tinkamumo naudoti laikas pasibaigė, reikia surinkti atskirai ir perduoti aplinkai nekenksmingo pakartotinio perdavimo įmonei.</p>
<p><b>DK</b></p> 	<p>Kun for EU-lande. Elværetøj må ikke bortskaffes som almindeligt affald! I henhold til det europæiske direktiv 2012/19/EU om bortskaffelse af elektriske og elektroniske produkter og gældende national lovgivning skal brugt elværetøj indsamles separat og bortskaffes på en måde, der skåner miljøet mest muligt.</p>	<p><b>IS</b></p> 	<p>Aðeins fyrir lönd ESB: Ekki henda rafmagnstækjum með heimilisúrgangi! Í fylgni við evrópsku tilskipunina 2012/19/EU um fargaðan rafbúnað og rafrænan búnað og framkvæmd þess í samræmi við innlend lög, verða rafmagnstæki sem úr sér gengin.</p>





Made in China

### Dear customer,

we wish you a pleasant and successful working experience with your new **scheppach** circular wet grinding machine.

According to the applicable product liability law the manufacturer of this device is not liable for damages which arise on or in connection with this device in case of:

- improper handling
- non-compliance with the instructions for use
- repairs by third party, non authorized skilled workers
- installation and replacement of non-original spare parts
- improper use
- failures of the electrical system due to the non-compliance with the electrical specifications and the VDE 0100, DIN 57113 / VDE 0113 regulations

### Recommendations:

**Read the entire text of the operating instructions prior to the assembly and operation of the device.**

These operating instructions are intended to make it easier for you to get familiar with your device and utilize its intended possibilities of use.

The operating instructions contain important notes on how to work safely, properly and economically with your machine and how to avoid dangers, save repair costs, reduce downtime, and increase the reliability and working life of the machine.

In addition to the safety regulations contained herein, you must in any case comply with the applicable regulations of your country with respect to the operation of the machine. Put the operating instructions in a clear plastic folder to protect them from dirt and humidity, and store them near the machine. The instructions must be read and carefully observed by each operator prior to starting the work. Only persons who have been trained in the use of the machine and have been informed on the related dangers and risks are allowed to use the machine. The required minimum age must be met.

In addition to the safety notes contained in the present operating instructions and the special regulations of your country, the generally recognized technical rules for the operation of wood working machines must be observed.

### General Notes

- When you unpack the device, check all parts for possible transport damages. In case of complaints the supplier is to be informed immediately.
- Complaints received at a later date will not be acknowledged.
- Check the delivery for completeness.
- Read the operating instructions to make yourself familiar with the device prior to using it.
- Use only original parts for accessories as well as for wearing and spare parts. Spare parts are available from your specialized dealer.
- Specify our part numbers as well as the type and year of construction of the device in your orders.

Specifications	
Dimensions LxWxH mm	320 x 285 x 285
Tool rest ø mm	12
Grinding stone ø mm	200/12 x 40
Idle-running speed - grinding stone 1/min.	120
Cutting speed m/ sec.	1,2
Weight kg	8,8
Drive	
Motor V	230 – 240
Input P1 W	120
Output P2 W	60
Motor speed 1/min.	1400
Operating mode	S1
Current rating A	0,6

Subject to technical modifications!!

### ⚠ Safety Instructions

Information relating to your safety are highlighted with this symbol in the present operating instructions.

#### Operators' Training

- Pass the safety instructions to all persons working with the machine.
- The operator must be at least 18 years old. Trainees must be at least 16 years old, but are only allowed to use the machine under supervision.
- Persons operating the machine must not be distracted.
- Keep away children from the machine if it is connected to the mains.
- Always wear tight clothes. Remove jewelry, rings, and wrist watches.
- Observe all safety instructions and warnings on the machine and maintain them in a readable state.
- Be careful when working with the machine: the rotating grinding tool may cause injuries of fingers and hands.

#### Stability

- Make sure the machine is installed on a firm ground with sufficient stability.
- Make sure the workplace is sufficiently illuminated.

#### Mains Connection of the Machine

- Check the mains connecting lines. Do not use defective lines. See **electrical connection**.
- Pay attention to the direction of rotation of the motor and the tools. See **electrical connection**.
- Installations, repair, and maintenance work relating to the electric installation may only be performed by specialists.
- Turn off the machine before you repair failures. Disconnect the mains plug.
- Turn off the motor when you leave the workplace. Disconnect the mains plug.
- Disconnect the machine from any external energy supply also in case of only moving the machine to another, nearby location! Properly reconnect the machine to the mains before you turn it on again!

### Setup and Adjustment of the Machine

- Only perform retooling, measuring, and cleaning work when the motor is turned off. Disconnect the mains plug, and wait until the rotating tool stands still.
- All protection and safety devices must be immediately reinstalled once the repair and maintenance work is completed.

### ⚠ Proper Use

- **The grinding machine has been exclusively designed for grinding steel using the offered tool (no hard alloy).**
- The machine meets the currently valid EU machine directive.
- **The machine has been designed for a one-shift operation, operating factor S1 100%.**
- Observe all safety instructions and warnings on the device.
- Make sure that all safety instructions and warnings on the machine always are in a readable state.
- Only use the machine if it is in a technically faultless state. Pay attention to the intended use, the safety and dangers and comply with the operating instructions! Immediately repair (or have repair) failures which may affect the safety.
- The safety, working, and maintenance instructions and the dimensions set forth in the specifications must be observed.
- The applicable regulations for the prevention of accidents and other, generally recognized safety rules must be observed.
- The machine may only be used, maintained or repaired by trained persons who are familiar with the machine and have been informed about the dangers. Unauthorized modifications of the machine exclude a liability of the manufacturer for damages resulting from the modifications.
- The machine may only be used with original accessories and original tools of the manufacturer.
- Any other use is considered to be not intended. The manufacturer excludes any liability for resulting damages, the risk is exclusively borne by the user.

Please note that our equipment has not been designed for use in commercial, trade or industrial applications. Our warranty will be voided if the equipment is used in commercial, trade or industrial businesses or for equivalent purposes.

### ⚠ Residual Risks

The machine has been constructed according to the state of the art and the recognized safety rules. Nevertheless, single residual risks may occur during the operation.

- The rotating grinding wheel may cause injuries of fingers and hands.
- Danger caused by electric current if inappropriate electrical connecting lines are used.
- Furthermore, non obvious residual risks may exist in spite of all measures taken.
- Residual risks can be minimized by carefully observing the **safety instructions** and the **intended use** as well as the entire operating instructions.

## Assembly

Assemble the stone and the tool table and hang the water tank as in Figure 1 on the machine.

### Installation and Adjustment

Please make sure that your grinding machine is installed in an upright and stable manner on a firm ground with sufficient illumination.

The machine has no front or rear side. You can alternatively grind with or against the direction of rotation.

### ⚠ Electrical Connection

The installed electric motor is connected and is ready to work.

The connection complies with the relevant VDE and DIN regulations.

**The connection to the mains supply on the customer side and the used extension line must meet these regulations or the provisions of the local power supply company.**

### Defective Electric Connection Lines

Often, insulation damages occur on electrical connection lines.

The possible causes are:

- Drag marks if connection lines are led through window or door clearances.
- Kinks due to improper attachment or routing of the connection line.
- Cuts caused by running over the connection line.
- Insulation damages caused by pulling the connection line out of the wall socket.
- Fissures caused by the aging of the insulation. Such defective electrical connection lines must not be used and are, due to the insulation damages, **life threatening!**

Regularly check the electrical connection lines for damages. Please make sure that the connection lines are disconnected from the mains supply during the check. Electrical connection lines must meet the applicable VDE and DIN regulations and the provisions of the local power supply company. Only use connection lines labeled with H07RN. The labeling of the connection cable with the type specification is required.

### A.C. Motor

- The supply voltage must be 220÷240 V/50 Hz.
- Extension lines up to a length of 25 m must have a minimum cross section of 1.5 mm<sup>2</sup>, lines with a length exceeding 25 m must have a minimum cross section of 2.5 mm<sup>2</sup>.
- The mains connection is protected with a maximum of 16 A.

Connections and repairs of the electrical equipment may only be **performed by an electrician**.

If you have further questions, please specify the following:

- Motor manufacturer and type
- Kind of current of the motor
- Data from the machine type plate
- Data of the electric control

**If you return the motor, always return the complete drive unit with the electric control.**

## Working Instructions

### Direction of Grinding (Fig. 1, Fig. 2)

It mainly depends on your requirements whether you want to work with or against the direction of grinding. If you want to quickly remove large quantities of steel (e.g. from very old, rusty tools) or if you want to grind coarse tools, such as axes, it is recommended to work against the direction of grinding. If you want to grind more precisely, we recommend to work with the direction of grinding. This applies, for example, to carving tools and knives. Please note that the grinding process is slowed down if you work with the direction of rotation.

Please check before each operation whether the surface of the grinding stone is even. To do so, lower the universal support onto the stone and turn it manually by 360°. If required, trim uneven material using the 250 trimming device.

Upon the time of delivery, the TiGer provides of even surfaces.

### Water Reservoir (Fig. 3, Fig.4)

Fill the water reservoir with water up to the marking. The grinding stone becomes saturated with water. Refill water, if required. Do not grind without water.

Once the grinding process is completed, lower the water reservoir to prevent the grinding stone from being in the water for an extended period of time.

Empty the water reservoir regularly. Otherwise, particles of steel and trimmed stone will accumulate and compress in the reservoir.

**Expert tip:** Such precipitations can be avoided if you place a magnet into the water.

### Angle Measurer (Fig. 5)

Measure the angle of the grinding bezel by comparing the cutting edge to the notches. Then, you set the determined angle at the device by changing the height of the universal support. To do so, perform the following steps:

First, clamp the tool into the device and insert the device on the universal support.

Then, hold the angle measurer with the desired angle at the tool tip. Now, adjust the height of the universal support in such a manner that the front end of the angle measurer straightly borders the grinding stone. Please make sure that the angle measurer is always in alignment with the tool tip.

**Note:** The values indicated on the angle measurer are only standard values. Of course, you can change these values according to your requirements.

### Grinding (Fig. 6)

**Since the grindstone rotates only slowly, a movement can be seen in the lateral direction. This is normal and does not exert any negative influence on the grinding result.**

**Expert tip:** New tools still show traces of the production process. You can substantially increase the lifetime of your tools if you grind them on both sides of the cutting edge before the first application. You simply grind the back side in the free-handed mode on the vertical of the grinding stone, and the front side as follows.

After you have set the angle, insert the tool mounted in the device on the universal support, turn on the motor, and start the grinding process. Press the tool evenly onto the grinding stone near the cutting edge, and move it crosswise across the stone.

Please make sure that at least half the width of the cutting edge comes into contact with the grinding stone at any time to avoid damages of the stone.

To achieve finer grinding results, prepare the stone using the Stone preparer. Thereby you increase the graining from 250 to approximately 1000. The SP is available as an accessory from your scheppach dealer.

The height of the Universal Support can be set exactly with the knurled nut attached to the Universal Support.

### Sharpening (Fig. 7)

Never sharpen against the direction of grinding! Otherwise, the tool will cut into the leather!

Impregnate the leather disc using weak machine oil. Then apply abrasive paste on the leather disc. Turn on the device, and distribute the abrasive paste by pressing the ground tool with circular movements on the wheel.

These preparations are sufficient for five to ten tools. Then, you start again with a new layer of machine oil, followed by new abrasive paste. These measures increase the lifetime of the leather and the quality of your tools.

**Expert tip:** You can work in the free-handed mode for the trimming itself. You achieve a more precise result if you keep the tool in the device in the position in which you ground the tool.

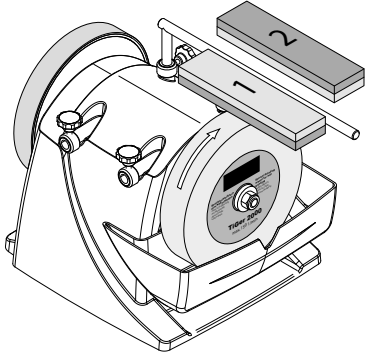
With the star grip screw on the rear side of the machine housing (see Figure 2), you can set the contact pressure on the friction wheel. This is necessary if when truing the honing wheel stops.



## Special accessories

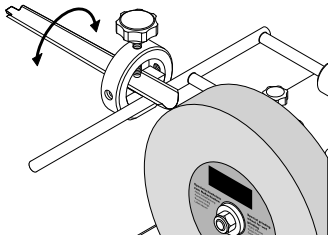
Stone preparer, order no. **8949 0707**

Change the graining of your TiGer within seconds from 250 to 1000 and vice versa!

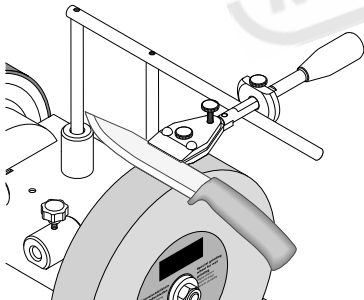


Device for tubes and gouges (with 100) 55, order no. **8949 0706**

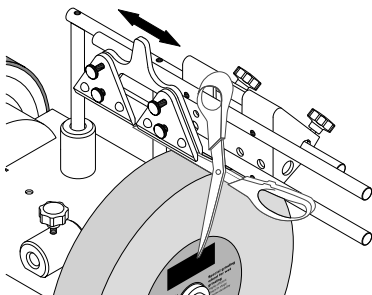
You can equip finger-shaped tools with a unique sharpness!



Device for small knives 60, order no. **8949 0708**  
Device for large knives 120, order no. **8949 0709**  
This way it's pure fun to work in the kitchen!

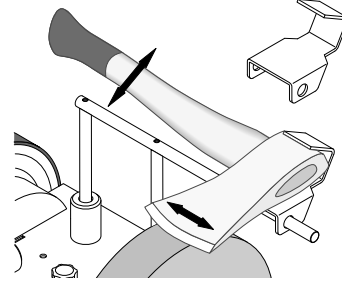


Device for scissors (with 100) 160, order no. **8949 0710**  
Now you can easily sharpen all kinds of scissors – whether for paper, cloth or gardening!



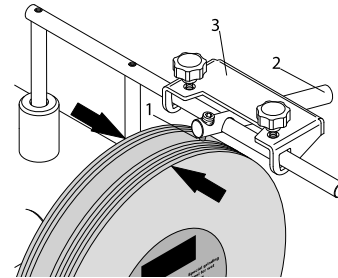
Device for axes 40, order no. **8949 0712**

Cut firewood as fast as never before – there is no need for huge machines.



Trimming device, order no. **8949 0713**

Trimmed within seconds, and you can also polish unpolished metal!

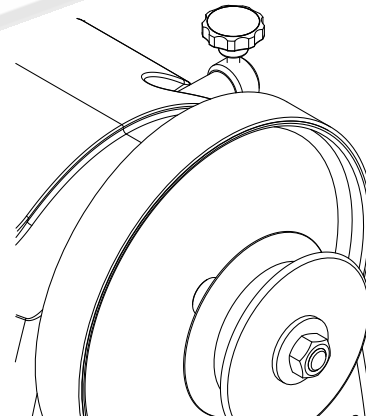


Spare cutting edge, order no. **8949 0714**

Just in case.

Leather honing disc, profiled, order no. **8949 0705**

For the inner side of finger-shaped tools.



# Declaration of conformity



DE	erklärt folgende Konformität gemäß EU-Richtlinie und Normen für den Artikel	SK	prehlasuje nasledujúcu zhodu podľa smernice EU a noriem pre výrobok
GB	hereby declares the following conformity under the EU Directive and standards for the following article	EST	kinnitab järgmist vastavus vastavalt ELi direktiivi ja standardite järgmist artiklumbrit
FR	déclare la conformité suivante selon la directive UE et les normes pour l'article	LT	pareiškia, taip atitiktis pagal ES direktyvos ir standartai šį straipsnį
IT	dichiara la seguente conformità secondo le direttive e le normative UE per l'articolo	LV	apliecina šādu saskaņā ar ES direktīvu atbilstības un standartu šādu rakstu
CZ	prohlašuje následující shodu podle smernice EU a norem pro výrobek	NL	verklaart hierbij dat het volgende artikel voldoet aan de daarop betrekking hebbende EG-richtlijnen en normen
HU	az EU-irányelv és a vonatkozó szabványok szerinti következo megfeleloségi nyilatkozatot teszi a termékre	RUS	заявляет о соответствии товара следующим директивам и нормам ЕС
HR	ovime izjavljuje da postoji sukladnost prema EU-smjernica i normama za sljedece artikle	PT	declara o seguinte conformidade com a Directiva da UE e as normas para o seguinte artigo
RO	declară următoarea conformitate corespunzător directivelor și normelor UE pentru articolul	ES	declara la conformidad siguiente según la directiva la UE y las normas para el artículo
TR	Normları gereginde aşağıdaki uygunluk açıklama masını sunar.	DK	erklærer hermed, at følgende produkt er ioverensstemmelse med nedenstående EUdirektiver og standarder:
FIN	vakuuttaa täten, että seuraava tuote täyttää alla esitettyt EU-direktiivit ja standardit	SE	försäkrar härmed följande överensstämmelse enligt EU-direktiv och standarder för följande artikeln
PL	deklaruje, że produkt jest zgodny z następującymi dyrektywami UE i normami	NO	erklærer herved følgende samsvar under EU-direktiv og standarder for følgende artikkel
SLO	izjavlja sledeco skladnost z EU-direktivo in normami za artikel	BG	декларира съответното съответствие съгласно Директива на ЕС и норми за артикул

## Nassschleifmaschine - Wet grinding machine / Tiger 2000s

<input type="checkbox"/> 2014/29/EU	<input type="checkbox"/> 89/686/EC_96/58/EC
<input checked="" type="checkbox"/> 2014/35/EU	<input checked="" type="checkbox"/> 2006/42/EC
<input type="checkbox"/> 2006/28/EC	Annex IV Notified Body: Notified Body No.: Reg. No.:
<input type="checkbox"/> 2005/32/EC	2000/14/EC_2005/88/EC
<input checked="" type="checkbox"/> 2014/30/EU	Annex V
<input type="checkbox"/> 2004/22/EC	Annex VI Noise: measured $L_{wa}$ = xx dB(A); guaranteed $L_{wa}$ = xx dB(A) Notified Body: Notified Body No.:
<input type="checkbox"/> 1999/5/EC	2004/26/EC
<input type="checkbox"/> 2014/68/EU	Emission. No:
<input type="checkbox"/> 90/396/EC	
<input checked="" type="checkbox"/> 2011/65/EU	

Standard references: EN 61029-1; EN 61029-2-4; EN 55014-1; EN 55014-2, EN 61000-3-2; EN 61000-3-3

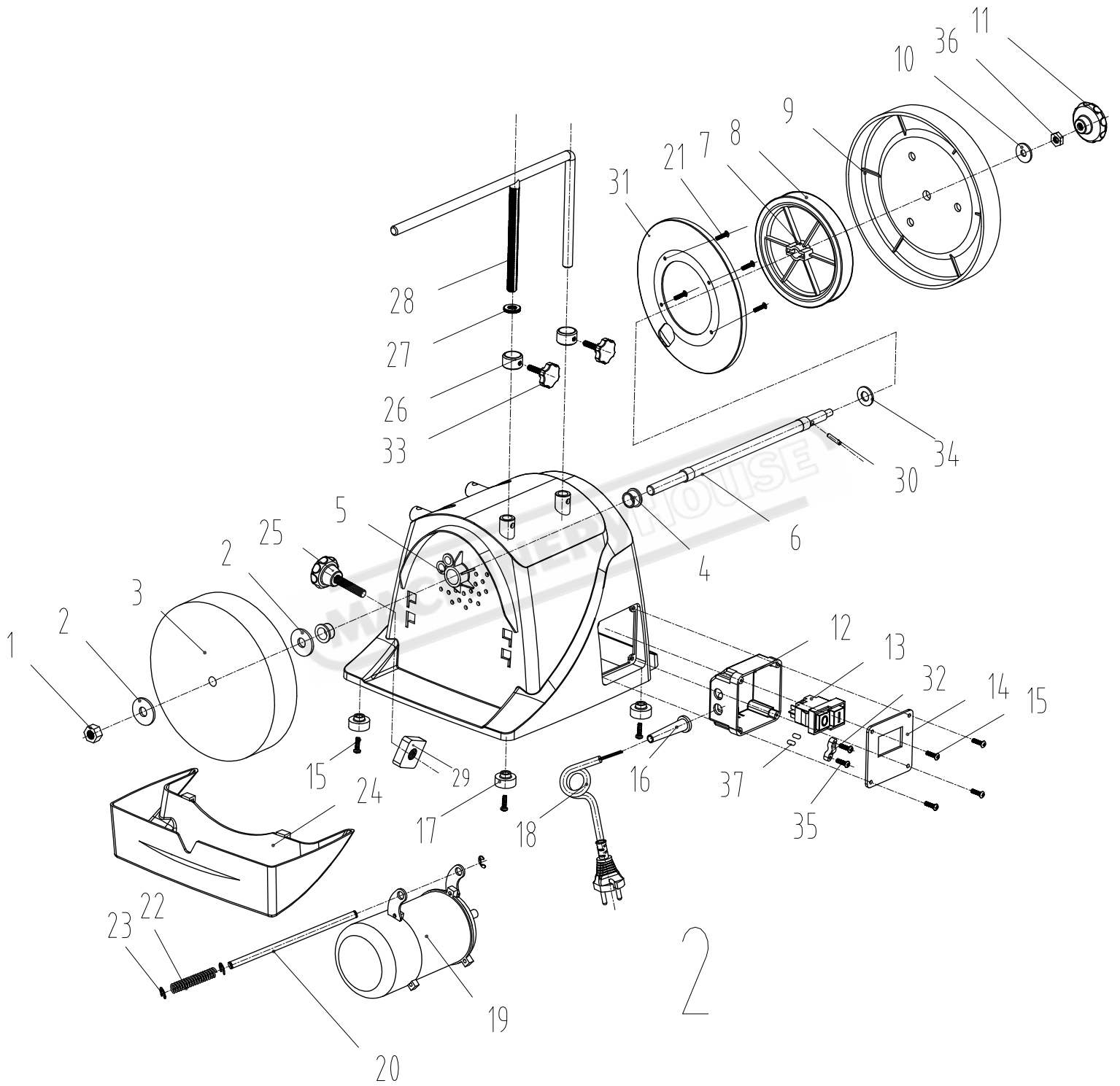
Ichenhausen, den 14.04.2016

  
Unterschrift / Markus Bindhammer / Technical Director

Art.-No.: 5903201905  
Subject to change without notice

Documents registrar: Stefan Hartinger  
Günzburger Str. 69, D-89335 Ichenhausen

MACHINERYHOUSE



Offensichtliche Mängel sind innerhalb von 8 Tagen nach Erhalt der Ware anzuzeigen, andernfalls verliert der Käufer sämtliche Ansprüche wegen solcher Mängel. Wir leisten Garantie für unsere Maschinen bei richtiger Behandlung auf die Dauer der gesetzlichen Gewährleistungsfrist ab Übergabe in der Weise, dass wir jedes Maschinenteil, dass innerhalb dieser Zeit nachweisbar in Folge Material- oder

Warranty GB
-------------

Apparent defects must be notified within 8 days from the receipt of the goods. Otherwise, the buyeris rights of claim due to such defects are invalidated. We guarantee for our machines in case of proper treatment for the time of the statutory warranty period from delivery in such a way that we replace any machine part free of charge which provably becomes unusable due to faulty material or defects of fabrica-

Garantie FR
-------------

Des défauts visibles doivent être signalés au plus tard 8 jours après la réception de la marchandise, sans quoi liacheteur perd tout droit à des redevances pour de tels défauts. Nous garantissons nos machines, dans la mesure où elles sont maniées correctement, pour la durée légale de garantie à compter de la remise dans ce sens que nous remplaçons gratuitement toute pièce de la machine devenue inutilisable durant cette période pour des raisons dierreur de matérielu ou de fabrication. Toutes pièces que nous ne fabriquons pas nous-mêmes ne

Garanzia I
------------

Vizi evidenti vanno segnalati entro 8 giorni dalla ricezione della merce, altrimenti decadono tutti i diritti dell'acquirente inerenti a vizi del genere. Appurato un impiego corretto da parte dell'acquirente, garantiamo per le nostre macchine per tutto il periodo legale di garanzia a decorrere dalla consegna in maniera tale che sostituiamo gratuitamente qualsiasi componente che entro tale periodo presenti dei vizi di

Garantía ES
-------------

Los defectos evidentes deberán ser notificados dentro de 8 días después de haber recibido la mercancía, de lo contrario el comprador pierde todos los derechos sobre tales defectos. Garantizamos nuestras máquinas en caso de manipulación correcta durante el plazo de garantía legal a partir de la entrega. Sustituiremos gratuitamente toda pieza de la máquina que dentro de este plazo se torne inútil a causa

Garantia PT
-------------

Para este aparelho concedemos garantia de 24 meses. A garantia cobre exclusivamente defeitos de material ou de fabricação. Peças avariadas são substituídas gratuitamente. cabe ao cliente efetuar a substituição. Assumimos a garantia unicamente de peças genuínas schepbach.

Não há direito à garantia no caso de: peças de desgaste, danos de transporte, danos causados pelo manejo indevido ou pela desatenção

Garantie NL
-------------

Zichtbare gebreken moeten binnen de 8 dagen na ontvangst van de goederen worden gemeld, zo niet verliest de verkoper elke aanspraak op grond van deze gebreken. Onze machines worden geleverd met een garantie voor de duur van de wettelijke garantietermijn. Deze termijn gaat in vanaf het moment dat de koper de machine ontvangt. De garantie houdt in dat wij elk onderdeel van de machine dat binnen de garantietermijn aantoonbaar onbruikbaar wordt als gevolg van materiaal- of productiefouten, kosteloos vervangen. De garantie vervalt

Garanti NO
------------

Åpenbare mangler skal meldes innen 8 dager etter at varen er mottatt, ellers taper kunden samtlige krav pga slik mangel. Vi gir garanti for at våre maskiner ved riktig behandling under den rettslige garanti tidens varighet, fra overlevering, på den måten at vi erstatte kostnadsfritt hver maskindel, som innen denne tiden påviselig er ubrukbar som følge av material- eller produksjonsfeil. For deler som vi ikke produserer

Garanti SE
------------

Uppenbara brister ska anmälas inom 8 dagar efter mottagandet, i annat fall förlorar köparen samtliga anspråk på grund av dessa brister. Vi lämnar garanti för våra maskiner vid riktig hantering för den lagenliga garantitiden från övertagandet på det sättet, att vi kostnadsfritt ersätter varje maskindel, som inom denna tid blir obrukbar bevisligen som följd av material eller tillverkningsfel. För delar, som vi inte

Garanti DK
------------

Med denna maskin følger en 24 måneders garanti. Garantin dækker endast material- och konstruktionsfel. Defekta delar ersätts utan omkostningar, men kunden står för installationen. Vår garanti dækker endast original schepbach-delar. Anspråk på garanti öreligger inte för:

Takuu FIN
-----------

Ilmeisistä puutteista tulee ilmoittaa kahdeksan päivän kuluessa tavaran vastaanottamisesta. Muutoin ostaja ei voi vaatia korvausta ko. puutteista. Annamme takuun oikein käsitellyille koneillemme lakisääteiseksi takuuaiksi tavaran luovutuksesta alkaen siten, että vaihdam- me korvauksetta minkä tahansa koneenosan, joka osoittautuu tämän ajan kuluessa käyttökeltottomaksi raaka-aine- tai valmistusvirhees-

Záruka SK
-----------

Zrejmé vady musia byť predstavené v priebehu 8 dní po obdržaní tovaru, ináč zákazník stratí všetky nároky týkajúce sa takejto vady. Ponúkame záruku na naše aparaty, ktoré sú správne používané počas zákonného termínu záruky tak, že bezplatne vymeníme každú časť aparátu, ktorá sa v priebehu tohto času môže stať dokázateľne nefunkčnou dôsledkom materiálnej či výrobny vady. Na časti ktoré sami

Garancija SLO
---------------

Očitne pomanjkljivosti je potrebno naznaniti 8 dni po prejemu blaga, v nasprotnem primeru izgubi kupec vse pravice do garancije zaradi takšnih pomanjkljivosti. Za naše naprave dajemo garancijo ob pravilni uporabi za čas zakonsko določenega roka garancije od predaje in sicer na takšen način, da vsak del naprave brezplačno nadomestimo, za katerega bi se v tem roku izkazalo, da je zaradi slabega materiala

Záruka CZ
-----------

Viditelné vady jsou poukazatelné během 8 dní od obdržení zboží, jinak ztrácí zákazník všechny nároky týkající se takovýchto vad. Poskytujeme záruku na naše stroje, s kterými je správné zacházeno, na dobu zákonného záručního lhůty začínající od doručení tak, že bezplatně vyměníme každou část stroje, která se během této doby může stát prokazatelně nepoužitelnou následkem materiálové či výrobní vady. Na díly,

Garantii EST
--------------

Ilmselgetest vigadest tuleb teatada 8 päeva jooksul pärast kauba kättesaamist, vastasel juhul kaotab ostja kõik õigused garantile nimetatud vigade tõttu. Õige käsitlemise korral anname oma masinatele garantii seadusega ettenähtud ajaks alates kauba üleandmisest nii, et vahetame tasuta välja kõik masina osad, mis nimetatud aja jooksul peaks muutuma kasutuskõlbmatuks materjali- või tootmisvea tõttu. Osade eest, mida

Гарантия (RUS)
----------------

Об очевидных дефектах необходимо уведомить в течение 8 дней после получения товара. В ином случае все претензии покупателя по таким дефектам не принимаются. Мы предоставляем гарантию на наши машины при условии правильного обращения с ними. Гарантия действует с момента передачи машины в течение установленного законом гарантийного срока. В течение этого времени мы гарантируем бесплатную замену любой части машины, если они стали непригодны к использованию в результате доказуемых ошибок

Gwarancja (POL)
-----------------

Wszelkie uszkodzenia muszą być zgłaszane w przeciągu 8 dni od daty otrzymania towaru, w przeciwnym wypadku, prawo do reklamacji wygasa. Gwarantujemy, że w czasie trwania gwarancji wymienimy wszelkie części maszyny, które okażą się niesprawne na skutek wad materiału z jakiego zostały wykonane lub błędów w produkcji bez dodatkowych opłat pod warunkiem, że maszyna będzie obsługiwana zgodnie

Garantija (LAT)
-----------------

Acīmredzami defekti ir jāpazījo 8 dienu laikā no preces saņemšanas. Pretējā gadījumā pircēja tiesības pieprasīt atbildību par šādiem defektiem ir spēkā neesošas. Mēs dodam garantiju savām iekārtām, ja pircējs pret tām atbilstoši izturas garantijas laikā. Mēs apņemasies bez maksas piegādāt jebkuru rezerves daļu, kas iespējams kļuvusi neietojama bojātu materiālu vai ražošanas defektu dēļ šajā laika periodā.

Garantija (LIT)
-----------------

Dėl akivaizdžiai matomų defektų turi būti informuota per 8 dienas nuo įrenginio gavimo momento. Kitu atveju pirkėjo teisė reikšti pretenziją dėl šių defektų yra negaliojanti. Savo įrenginiams mes garantuojame įstatymų nustatytą pilną aptarnavimą garantinio laikotarpio metu, jei yra laikomasi gamintojo-vartotojo susitarimo ir mes pažadame nemokamai pakeisti bet kurias mašinos dalis, sugedusias dėl blogos medžiagos

Ábyrgð (IS)
-------------

Augljósar skemmdir verður að tilkynna innan 8 daga frá viðtöku vörunnar. Annars er réttur kaupanda um bætur vegna slíka skemmda ógildur. Við ábyrgjumst, í tilfalli réttfrá meðhöndlunar yfir lögbundnið ábyrgðartímabil frá afhendingu, að við skiptum um hvern vélarhlut án kostnaðar sem ónothæfur er vegna gallaðs efnis eða skemmda í framleiðslu innan ákveðins tímabils. Á því er tekur til hluti sem ekki eru framleiddir af

Fertigungsfehler unbrauchbar werden sollte, kostenlos ersetzen. Für Teile, die wir nicht selbst herstellen, leisten wir nur insoweit Gewähr, als uns Gewährleistungsansprüche gegen die Vorlieferanten zustehen. Die Kosten für das Einsetzen der neuen Teile trägt der Käufer.

Wandlungs- und Minderungsansprüche und sonstige Schadensersatzansprüche sind ausgeschlossen.

Warranty GB
-------------

tion within such period of time. With respect to parts not manufactured by us we only warrant insofar as we are entitled to warranty claims against the upstream suppliers. The costs for the installation of the new parts shall be borne by the buyer. The cancellation of sale or the reduction of purchase price as well as any other claims for damages shall be excluded.

Garantie FR
-------------

sont garanties que si nous possédons des droits à la garantie vis-à-vis des fournisseurs respectifs. Les frais pour la mise en place des nouvelles pièces sont à la charge de liacheteur. Tous droits à réhibition et toutes prétentions à diminutions ainsi que tous autres droits à liindemnité sont exclus.

Garanzia I
------------

materiale o di fabbricazione tali da renderlo inutilizzabile. Per componenti non fabbricati da noi garantiamo solo nella misura nella quale noi stessi possiamo rivendicare diritti a garanzia nei confronti dei nostri fornitori. Le spese per il montaggio dei componenti nuovi sono a carico dell'acquirente. Sono escluse pretese di risoluzione per vizi, di riduzione o ulteriori pretese di risarcimento danni.

Garantía ES
-------------

de fallas de material o de fabricación. Las piezas que no son fabricadas por nosotros mismos serán garantizadas hasta el punto que nos corresponda garantía del suministrador anterior. Los costes por la colocación de piezas nuevas recaen sobre el comprador. Están excluidos derechos por modificaciones, aminoraciones y otros derechos de indemnización por daños y perjuicios.

Garantia PT
-------------

as instruções de serviço, falhas da instalação elétrica por inobservança das normas relativas à electricidade. Além disso, a garantia só poderá ser reivindicada para aparelhos que não tenham sido consertados por terceiros. O cartão de garantia só vale em conexão com a fatura.

Garantie NL
-------------

echter bij verkeerd gebruik of verkeerde behandeling van de machine. Voor onderdelen die wij niet zelf produceren, geven wij enkel de garantie die wij zelf krijgen van de oorspronkelijke leverancier. De kosten voor de montage van nieuwe onderdelen vallen ten laste van de koper. Eisen tot het aanbrengen van veranderingen of het toestaan van een korting en overige schadeloosstellingsclaims zijn uitgesloten.

Garanti NO
------------

Garanti SE
------------

selv, yter vi garanti kun i den utstrekning som garantikrav mot underleverandør tilkommer oss. Kjøperen bærer kostnadene ved montering av nye deler. Endrings- og verditapskrav og øvrige skadeerstatningskrav er utelukkede.

Garanti DK
------------

själva tillverkar, lämnar vi endast garanti i så måtto, som vi själva får garanti av våra underleverantörer. Kostnaderna för monteringen av de nya delarna bär köparen. Förändrings och vårdeminskningsanspråk och övriga skadeståndsanspråk är utslutna.

Garanti FIN
-------------

tä johtuen. Osille, joita emme valmista itse, annamme takuun vain mikäli osien toimittaja on antanut niistä takuun meille. Uusien osien asennuskustannukset maksaa ostaja. Purku- ja vähennysvaatimukset ja muut vahingonkorvausvaatimukset eivät tule kysymykseen.

Záruka SK
-----------

nevyrábame, poskytujeme záruku iba v rozsahu, v ktorom nám prislúchi nárok na záručné plnenie k subdodávateľovi. Za trovy týkajúce sa inštalácie novej súčiastky je zodpovedný zákazník. Nárok na výmenu tovaru, za zľavu a iné nároky na nahradenie škody sú vylúčené.

Garancija SLO
---------------

ali slabe izdelave neuporaben. Za dele, ki jih sami ne izdelujemo, jamčimo samo toliko, kolikor zahteva garancija drugih podjetij. Stroški za vstavljanje novih delov nosi kupec. Zahteve za spreminjanje in zmanjšanje ter ostale zahteve za nadomestilo škode so izključene.

Záruka CZ
-----------

teré sami neopravujeme, poskytujeme záruku pouze v rozsahu , v němž nám přísluší nárok na záruční plnění vůči subdodavateli . Náklady na instalaci nového dílu nese zákazník. Nárok na výměnu zboží, na slevu a jiné nároky na odškodnění jsou vyloučené.

Garantii EST
--------------

me ise ei tooda, anname garantii vaid selles osas, mis tarnija on meie garanteerinud. Uute osade paigaldamise kulud kannab ostja. Muutmis- ja amortisatsioonõuded ning muud kahjutasunõuded välistatakse.

Гарантия (RUS)
----------------

в применяемых материалах или при изготовлении. На части машины, которые мы не изготавливаем сами, мы предоставляем гарантии в той мере, насколько нас касаются рекламационные претензии к изготовителям. Расходы по замене деталей несет покупатель. Претензии на расторжение договора купли-продажи, штрафы и прочие требования о возмещении ущерба исключаются.

Gwarancja (POL)
-----------------

z zaleceniami. W odniesieniu do części nie produkowanych przez nas, gwarancja obowiązuje tylko w przypadku naszych dostawców. Koszty instalacji nowych części są ponoszone przez klienta. Odszkodowania wynikłe z uszkodzeń maszyny oraz redukcje ceny zakupu maszyny w ramach reklamacji nie będą rozpatrywane.

Garantija (LAT)
-----------------

Attiecībā uz rezerves daļām, kuras nav mūsu ražotas, mēs garantējam tikai gadījumā, ja mums ir garantija no saviem piegādātājiem. Jauno detaļu uzstādīšanas izmaksas ir jāuzņemas pircējam. Pirkuma atceļšana vai pirkuma cenas samazināšana, kā arī jebkuras citas prasības par bojājumu atīdzināšanu netiek izskatītas.

Garantija (LIT)
-----------------

ar gamyklinio broko. Mes neatsakome uz dalis, pagamintas ne mūsų ir įūsų gautas iš kito tiekėjo. Naujų dalių montavimo kaštai yra pirkėjo atsakomybė. Pirkimo nutraukimas ar pirkimo kainos sumažinimas, kaip ir bet kurios kitos pretenzijos dėl nuostolių nebus patenkinamos.